

Amica

**OPERATING INSTRUCTIONS
INSTRUKCJA OBSŁUGI**

**EN
PL**

Dishwasher / Zmywarka

**DFV41E6AISMG
DFV41E6AISA
DFV41E6AISN
DFV41E6ASEU
DFV41E6AWMG
DFV41E6AWEU
DFV41E6AWN
DFV41E6AWA**



**IO-DWS-3586/1
(03.2023)**

EN - CONTENTS

SAFETY INSTRUCTIONS FOR USE	6
BEFORE YOU INSTALL THE APPLIANCE	6
BEFORE FIRST USE	6
CHILD SAFETY	6
DAILY MAINTENANCE	7
IN CASE OF PROBLEMS	7
RECOMMENDATIONS	7
DISHES AND UTENSILS THAT ARE NOT SUITABLE FOR DISHWASHERS.	8
UNPACKING	9
DISPOSAL OF OLD APPLIANCE	10
INSTALL THE APPLIANCE	11
PLACE YOUR APPLIANCE	11
WATER SUPPLY CONNECTION	11
WATER SUPPLY HOSE	11
THE DRAIN HOSE	12
ELECTRICAL CONNECTION	12
FITTING THE MACHINE UNDERCOUNTER	13
PREPARE THE APPLIANCE FOR OPERATION	14
BEFORE FIRST USE	14
THE IMPORTANCE OF WATER DESCALING	14
ADD SPECIAL SALT	14
THE TEST STRIP	15
MULTI-COMPONENT (MULTITAB) DETERGENTS (EG. 2-IN-1, 3-IN-1, ETC.)	15
WATER HARDNESS TABLE	16
IN ORDER TO CHANGE THE RINSE AID LEVEL, FOLLOW THE BELOW STEPS BEFORE TURNING ON THE MACHINE:	17
STANDARD LOADING AND TEST RESULTS:	18
EQUIPMENT	18
CAPACITY- 10 SETTINGS	18
LOAD DISHES INTO DISHWASHER	19
UPPER BASKET	19
FOLD THE MUGS AND CUPS SHELVES	19
FOLD THE DISHWASHER BASKET SPIKES	20
TIPS FOR USING THE DISHWASHER BASKET:	20
LOWER BASKET	20
WATER HARDNESS TABLE	22
CONTROL PANEL	23
AUTOMATIC FAULT WARNINGS AND WHAT TO DO	25
CLEANING AND MAINTENANCE	27
CLEANING	27
CLEANING FILTERS	27
SPRAY ARMS	27
DRAIN PUMP	28
WARRANTY AND AFTER SALES SERVICE	29
WARRANTY	29

PL - SPIS TREŚCI

WSKAZÓWKI DOTYCZĄCE BEZPIECZEŃSTWA UŻYTKOWANIA	31
PRZED INSTALACJĄ	31
PRZED PIERWSZYM UŻYCIEM	31
BEZPIECZEŃSTWO DZIECI	32
CODZIENNA OBSŁUGA	32
W RAZIE PROBLEMÓW	33
ZALECENIA	33
NACZYŃIA NIENADAJĄCE SIĘ DO MYCIA W ZMYWARCE	33
ROZPAKOWANIE	35
USUWANIE ZUŻYTYCH URZĄDZEN	36
INSTALACJA URZĄDZENIA	37
USTAWIENIE URZĄDZENIA	37
PRZYŁĄCZE WODY	37
WAŻ ZASILANIA WODĄ	37
WAŻ ODPLYWOWY	38
PRZYŁĄCZE ELEKTRYCZNE	38
MONTAŻ URZĄDZENIA POD BLATEM KUCHENNYM	39
PRZYGOTOWANIE URZĄDZENIA DO PRACY	40
PRZED PIERWSZYM UŻYCIEM ZMYWARKI	40
ZNACZENIE ODWAPNIANIA WODY	40
NAPEŁNIANIE SOLĄ	40
PASEK TESTOWY	41
DETERGENTY WIELOSKŁADNIKOWE (NP.: "2W1", "3W1" ITP.)	41
TABELA TWARDOSCI WODY	42
ABY ZMIENIĆ POZIOM ŚRODKA NABŁYSZCZAJĄCEGO, PRZED WŁĄCZENIEM ZMYWARKI	43
NALEŻY WYKONAĆ PONIŻSZE KROKI:	43
STANDARDOWY ZAŁADUNEK I WYNIKI BADAŃ:	44
WYPOSAŻENIE	44
POJEMNOŚĆ- 10 ZESTAWÓW	44
ZAŁADUNEK ZMYWARKI NACZYNIAMI	45
KOSZ GÓRNY	45
SKŁADANIE POŁEK NA KUBKI/FILIZANKI	45
SKŁADANIE STOJAKÓW KOSZA	46
KORZYSTANIE Z KOSZA ZMYWARKI	46
KOSZ DOLNY	47
WYŚWIETLACZ I PANEL	49
AUTOMATYCZNE OSTRZEŻENIA O USTERKACH I SPOSÓB POSTĘPOWANIA	51
CZYSZCZENIE I KONSERWACJA	53
CZYSZCZENIE	53
CZYSZCZENIE FILTRÓW	53
RAMIONA NATRYSKOWE	53
POMPA ODPLYWOWA	54
GWARANCJA, OBSŁUGA POSPRZEDAŻOWA	56
GWARANCJA	56

Dear customer,

From now on, your daily housework will be easier than ever before. Your appliance **Amica** is exceptionally easy to use and extremely efficient. After reading these Operating Instructions, operating the appliance will be easy.

Before being packaged and leaving the manufacturer, the appliance was thoroughly checked with regard to safety and functionality.

Before using the appliance, please carefully read these Operating Instructions. By following these instructions carefully you will be able to avoid any problems in using the appliance. It is important to keep these Operating Instructions and store them in a safe place so that they can be consulted at any time.

Follow these instructions carefully in order to avoid possible accidents.

Sincerely,

Amica

SAFETY INSTRUCTIONS FOR USE

Before you install the appliance

- Check the appliance for transport damage. Never install or use a damaged appliance. If in doubt, contact your seller.
- Carefully read the operating instructions before plugging dishwasher to a power outlet and using the appliance. Operating instruction include tips that will help you avoid the risk of injury and damage to the appliance. Keep dishwasher documentation in a safe place for possible future use.
- These operating instructions have been prepared for a range of appliances and some features described herein may not apply to your appliance.

Before first use

- See installation notes (below).
- Refer the grounding system installation to a qualified electrician.
- The manufacturer shall not be liable for any damage arising from the use of a non-grounded appliance.
- Before using the appliance, verify that the data given on the rating plate matches that of local power outlets.
- Do not plug in the appliance before and during installation.
- Always use the original plug that came with the appliance.
- Do not use an extension cord to connect the appliance to the wall outlet. Extension cords are not sufficiently safe (e.g. they may overheat).
- Make sure the plug is easily accessible after installing the appliance.

Child safety

- This appliance can be used by children aged 8 years and older or persons with physical, mental or sensory handicaps, or those who are inexperienced or unfamiliar with the appliance, provided they are supervised or have been instructed how to safely use the appliance and are familiar with the associated risks. Ensure that children do not

play with the appliance. Children should not be allowed to clean or maintain the appliance.

- Children less than 3 years of age shall be kept away unless continuously supervised.
- Do not allow children to play with the appliance.
- Dishwashing detergents can be caustic and irritate the eyes, mouth and throat. Read the safety notes from detergent manufacturer.
- Never leave children unsupervised when the appliance is open. It can contain residue detergent.
- Dishwasher water is not suitable for drinking. Danger of injury from the caustic chemicals.
- When you open the door during a programme, be careful as water temperature is high.
- To avoid injury always place long and sharp/pointed items (e.g. forks, knives) in the cutlery basket, pointing down, or flat on the top basket.

Daily maintenance

- Use the appliance for household dishwashing only.
- Do not use solvents in the appliance as there is a risk of explosion.
- Do not sit or stand on the open door and do not place any objects on it. The device may overturn.
- Do not open the door when the appliance is operating. Hot water or steam can be released.
- Do not leave the door open, because they it can pose a hazard.
- Washing tableware in a household dishwasher usually uses less energy and water than washing up by hand.

In case of problems

- Refer repair and modifications of the appliance to qualified technicians only.
- In the event of problems or repairs, unplug the appliance from the wall outlet:
- Unplug the appliance by pulling the plug,
- Turn off the circuit breaker.
- Do not pull the power cord, pull the plug only. Close the water supply.

Recommendations

- Loading the dishwasher to the capacity indicated by the manufacturer will save energy and water.
- To save energy and water, rinse food residue of the dishes before loading the dishes into the dishwasher. Run the dishwasher with full load.

- Do not put dishes with food leftovers in the appliance.
- Use pre-wash programme only when needed.
- Load bowls, cups and mugs bottom facing up.
- Do not load in the appliance any dishes that are not dishwasher safe and do not load too many dishes.
- It is not recommended to pre-rinse the tableware, as this leads to an increase in water and energy consumption.

Dishes and utensils that are not suitable for dishwashers.

- Ashtrays, candles, cleaning pastes, paints, chemicals, ferro-alloys;
- Forks, spoons and knives with a handle made of wood, ivory or Nacre, glued items contaminated with abrasive powders, acid or base
- Plastic dishes that are not resistant to high temperature, containers made of copper or tin;
- Aluminium and silver items (may be stained or loose lustre)
- Some delicate types of glass, porcelain with decorative prints, as prints may fade even after the first wash; some crystal dishes as they may lose their transparency, glued silverware sensitive to high temperatures, lead crystal glass, chopping boards, items made with synthetic fibres;
- Absorbent objects such as a sponge or kitchen cloths are not suitable for the dishwasher.
- Before buying dishes in the future make sure they are dishwasher safe.
- Pursuant to Commission Regulation (EU) 2019/2022, the minimum availability period for spare parts necessary to repair the appliance is 7 or 10 years depending on the type and purpose of the spare part.
- The list of spare parts and the ordering procedure are available on the websites of the manufacturer, importer or an authorized representative.
- For more information about the product, please refer to the EU EPREL Product Database at <https://eprel.ec.europa.eu>. For more information, please use your mobile device to scan the QR code on the energy label or enter the product model listed on the energy label in the EPREL search engine <https://eprel.ec.europa.eu/>

UNPACKING



During transportation, protective packaging was used to protect the appliance against any damage. After unpacking, please dispose of all elements of packaging in a way that will not cause damage to the environment.

All materials used for packaging the appliance are environmentally friendly; they are 100% recyclable and are marked with the appropriate symbol.

Important! Packaging materials (bags, polyethylene, polystyrene, etc.) should be kept away from children during unpacking.

DISPOSAL OF OLD APPLIANCE



In accordance with European Directive 2012/19/EU and local legislation regarding used electrical and electronic goods, this appliance is marked with the symbol of the crossed-out waste container. This marking indicates that the appliance must not be disposed of together with other household waste after it has been used.

The user is obliged to hand it over to waste collection centre collecting used electrical and electronic goods. The collectors, including local collection points, shops and local authority departments provide recycling schemes.

Proper handling of used electrical and electronic goods helps avoid environmental and health hazards resulting from the presence of dangerous components and the inappropriate storage and processing of such goods.

INSTALL THE APPLIANCE

PLACE YOUR APPLIANCE

- When choosing the place of installation, make sure you will be able to easily load and remove dishes and utensils from the dishwasher.
- Do not place the appliance in a room where the temperature can fall below 0°C.
- Before installing unpack the appliance following the instructions on the packaging.
- When you move the appliance do not handle it by the door or control panel.
- Leave some room on all sides to have convenient access to the dishwasher when cleaning.
- Make sure that when you set the dishwasher you do not crush the water supply and drain hose. Also, make sure that the appliance is not placed on the power cord.
- Level the appliance using the adjustable legs. Proper level ensures trouble-free opening and closing the dishwasher doors.
- If the dishwasher door will not close properly, check that the appliance stands firmly on the floor, if not, adjust using the adjustable legs.

Water supply connection

Make sure that domestic water supply system is suitable for the dishwasher. It is recommended to install a filter in the water supply line to avoid damage to the appliance due to impurities (such as sand, clay, rust, etc.) that occasionally occur in water. This will also prevent accumulation of sediment after dishwashing.

Water supply hose



Do not use the water supply hose from the old dishwasher. Use the new water supply hose provided with the appliance. Before connecting, rinse the hose with water. Connect the water supply hose directly to the water feed valve. The domestic water system pressure should be at least 0.03 MPa and up to 1 MPa. If the water pressure exceeds 1 MPa, install pressure reducing valve.

When the connection is ready, open the valve completely and check for leaks.

For safety reasons, close the water supply tap after every wash.

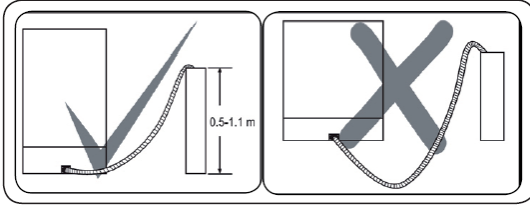


NOTE: Aquastop water supply is used in some dishwasher models. Dangerous voltage could occur with Aquastop. Do not cut the Aquastop water supply. Do not allow it to bend or twist.

Note: For safety reasons, close the water tap after every wash

The drain hose

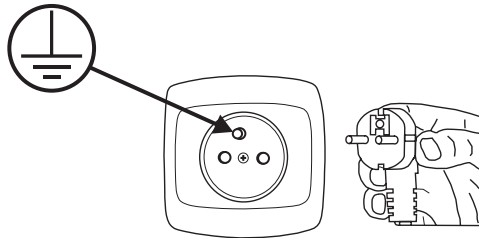
The drain hose can be connected directly to a water drain or kitchen sink stub pipe. You can also drain the water directly into the sink using the special bracket (if available), placing the drain hose outlet on the kitchen sink edge. The drain hose connection should be made at least 50 cm and up to 110 cm from the floor.



If the drain hose is longer than 4m, dishes may not be washed properly. The manufacturer will not be held responsible.

Electrical connection

Grounded plug must be connected to a grounded power outlet with a proper voltage. If there is no grounding, refer this to a qualified electrician. If you operate the appliance without proper grounding, the manufacturer does not assume any liability for the possible resulting damage.



- Domestic electrical system must be protected with a 10-16A fuse.
- The appliance must be supplied with 220-240V/50Hz AC.
- Always use the plug provided with the appliance. When you operate the appliance at lower voltage the dishwashing efficiency will deteriorate and may damage the appliance.
- The power cord may only be replaced by authorized service or a qualified electrician. Failure to comply with these rules may lead to an accident.
- For safety reasons, you should always unplug the appliance after you have finished using it.
- In order not to avoid electric shock, do not remove the plug from the wall outlet with wet hands.
- When you unplug the appliance from the wall outlet, always pull the plug. Never pull the power cord.

Fitting The Machine Undercounter

If you wish to fit your machine undercounter, there must be sufficient space to do so and the wiring-plumbing must be suitable to do so (1). If the space under the countertop is suitable for fitting your machine, remove the worktop as shown in the illustration (2).

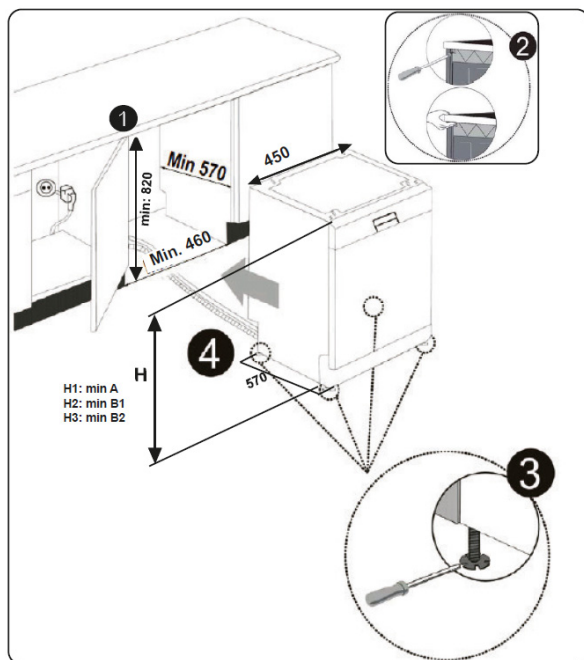
WARNING: The countertop, which the machine will be placed under, must be stable in order to prevent imbalance.

The top panel of the dishwasher must be removed to fit the machine under the countertop.

To remove the top panel, remove the screws that hold it on, located at the rear of the machine. Then, push the panel 1 cm from the front towards the rear and lift it. Adjust the machine feet according to the slope of the floor (3).

Fit your machine by pushing it under the counter taking care not to crush or bend the hoses (4).

WARNING: After removing the top panel of your dishwasher, the machine should be placed in a space of the dimensions shown in the figure below.



	A	B	
	All Products	B ₁	B ₂
Product's Height (±2 mm)	820 mm	825 mm	835 mm

PREPARE THE APPLIANCE FOR OPERATION

Before first use

- Before using the appliance, verify that the data given on the rating plate matches that of local power outlets.
- Remove all packing materials from inside of the appliance.
- Prepare special salt (water softener).
- Pour water into the special salt dispenser and then add special salt (dishwasher salt).
- Pour rinse aid into the dispenser.

The importance of water descaling

A dishwasher requires soft water (with low calcium content) to operate efficiently. Otherwise, white residue may remain on the dishes and inside the appliance. This has a negative impact on the quality of dishwashing, rinsing and drying. When the water flows through the softener, ions responsible for the water hardness are removed, and the water becomes soft, for best dishwashing results. Depending on the degree of water hardness, the ions responsible for water hardness accumulate quickly inside the water softener. Therefore, the water softener must be regenerated to operate with the same efficiency during the next wash. This is why special salt is used in the dishwasher.

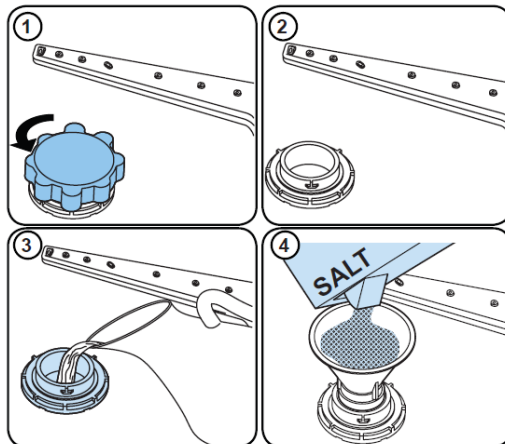
Add special salt

Only use special salt intended for dishwashers.

Any other type of salt that is not intended for use in a dishwasher, especially regular kitchen salt, will damage the water softener. In the event of damage caused by the use of the wrong salt, the manufacturer's warranty is void and we will not be liable for damage.

Fill with special salt before running the washing programme.

This will prevent spilled special salt or salty water from remaining on the bottom of the device, which may cause corrosion.














1. Remove the lower basket from the appliance and unscrew the special salt dispenser cap.
2. Place the end of the funnel (included) in the hole and pour salt.
3. Pour water into the dispenser until full. It is normal that a small amount of water spills out of the special salt dispenser.
4. After you fill the dispenser, screw the cap on.
5. When you fill the dispenser with special salt, the add salt indicator goes out.
6. Start the washing programme immediately after filling the dispenser with special salt (the quick wash is recommended). Otherwise, salty water can damage the filters, the pump or other important appliance components. This is not covered by the warranty.

NOTE:

- Fill the special salt dispenser when the special salt indicator (⊕) on the control panel lights up. Depending on the rate of salt dissolution, the special salt indicator may still be on even after filling the dispenser.
- If there is no special salt indicator on the control panel (on some models), you can estimate when to top up the dispenser based on the number of wash cycles performed.
- If some special salt spills, run the soaking programme or a quick wash programme.
- Use only the special salt intended for dishwashers!

The test strip

The dishwashing effectiveness is linked to water hardness. Therefore, the appliance is equipped with a system to reduce the hardness of the water supply. The dishwashing effectiveness is improved when the system is set correctly. To check water hardness contact the municipal water company or determined the water hardness using test strip (if available).

	Run water through the tap (1min.)	Keep the strip in the water (1sec)	Shake the strip.	Wait (1min.)	Set the hardness level of your machine.
					1  2  3  4  5  6 

Multi-component (multitab) detergents (eg. 2-in-1, 3-in-1, etc.)

There are three types of detergents:

1. Containing phosphates and chlorine,
2. Containing phosphates and no chlorine,
3. Containing no phosphates and no chlorine.

The latest tablets are generally phosphate-free. Since phosphates have water softening properties, we recommend adding salt to the container even if the water hardness is only 6°dH. If you use phosphate-free detergent where water is hard, white residue may be visible on the dishes.

You can prevent this by increasing the amount of detergent. Chlorine-free detergents have less bleaching effect. Stains may not be entirely removed. Select the programme with a higher wash temperature. Generally, using multi-component detergents suitable results are obtained only under certain conditions. Such detergents contain rinse aid and/or special salt in a specific amount. It is recommended to use special salt when using multi-component tablets.

What you should pay attention to when using these tablets.

- Always check the type of detergent used and whether it is a multi-component product.
- Make sure that the detergent used is appropriate for tap water hardness.
- Follow the instructions on the product packaging.
- If the detergent is in the form of tablets, never place it the cutlery basket. Always place the tablet in the detergent dispenser compartment.
- The use of these detergents yields good results only in certain applications. Using this type of detergent you should contact the manufacturer for information about proper use.
- If you use the detergent properly and dishwasher settings are correct you can save on salt and/or rinse aid.
- If dishwashing results while using 2-in-1 or 3-in-1 detergents are not satisfactory (traces of lime scale on the dishes), please contact the detergent manufacturer. The warranty does not cover complaints due to the use of multi-component detergents.

Recommended use: For best results using multi-component cleaning agents, add special salt and rinse aid in the dishwasher and set the water hardness and amount of rinse aid to the lowest setting.

The solubility of the detergent tablets made by different manufacturers can vary with regard to temperature and time. It is therefore not recommended to use detergent tablets in quick programmes. It is recommended to use powder detergents in quick programmes.

Always store detergents in a dry, cool place, out of reach of children. Add detergent to the dispenser immediately before using the appliance.

Warning: If encounter another problem when using a multi-component detergent, please contact the detergent manufacturer.

Stop using multi-component detergents

- Add special salt and rinse aid to dispensers.
- Set the water hardness to the highest level (6) and run an empty dishwasher.
- Adjust the water hardness.
- Adjust rinse aid setting.

Warning: Use only rinse aid designed for domestic dishwashers. Wipe up spilled rinse aid with a cloth as it will cause the formation of large amounts of foam, and thus will reduce the dishwashing effectiveness.

Water hardness table

Water hardness	German degrees [dH]	French degrees [dF]	British degrees [dE]	Water hardness level indicator
1	0~5	0~9	0~6	Wash LED is on.
2	6-11	10-20	7-14	Dry LED is on.
3	12-17	21-30	15-21	End button is on.
4	18-22	31-40	22-28	Wash and Dry LEDs are on.
5	23-34	41-60	29-42	Wash and End LEDs are on.
6	35-50	61-90	43-63	Dry and End LEDs are on.

If the water hardness is higher than the maximum values given in the table above, or if you use water from a deep well, it is recommended to use filters and water treatment equipment.

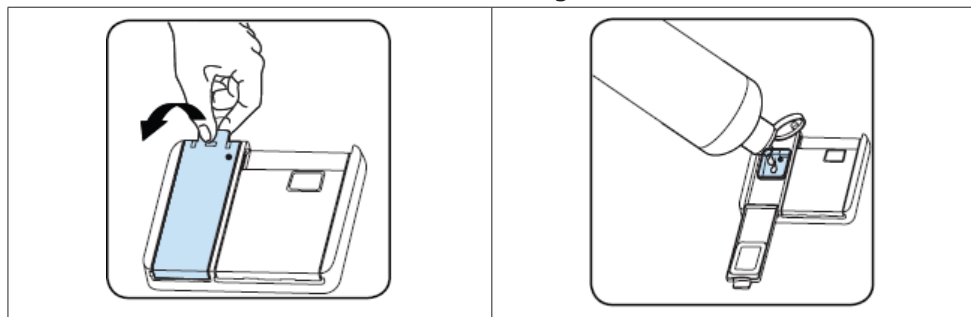
The dishwasher is equipped with a water softener which reduces the hardness in the mains water supply. To find out the hardness level of your tap water, contact your water company or use the test strip (if available).

Setting:

- Turn on the machine by pressing the On/Off button.
- Press the Up button for at least 3" immediately after the machine is turned on.
- Release the Up button when all leds blink once. The last setting level is viewed.
- Press the Up or Down button to increase or decrease the hardness level respectively.
- Turn off the machine to save the setting.

In order to change the rinse aid level, follow the below steps before turning on the machine:

- Turn on the machine by pressing the On/Off button.
- Press the Up button for at least 5 seconds immediately after the machine is turned on.
- Release the Up button when all leds blinks twice. The last setting level is displayed.
- Press Up or Down button to increase or decrease the hardness level.
- Turn off the machine to save the setting.



Level	Brightener Dose	Indicator
1	Rinse-aid not dispensed	Wash LED is on.
2	1 dose is dispensed	Dry LED is on.
3	2 doses are dispensed	End LED is on.
4	3 doses are dispensed	Wash and Dry LEDs are on.
5	4 doses are dispensed	Wash and End LEDs are on.

Standard loading and test results:

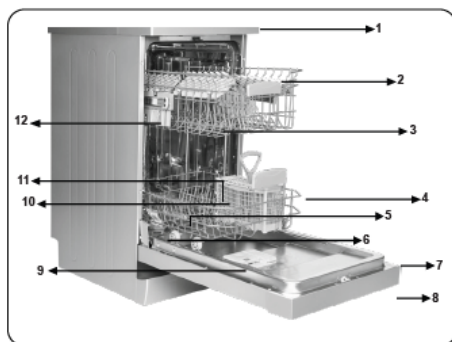
Lower basket



Upper basket

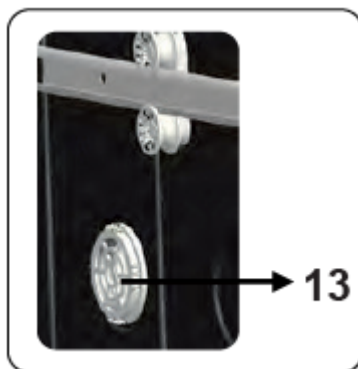


Equipment



Capacity- 10 settings

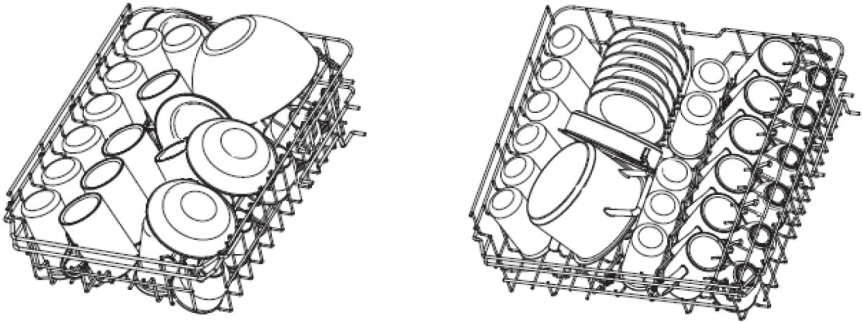
1	Worktop
2	Upper basket with racks
3	Upper spray arm
4	Lower basket
5	Lower spray arm
6	Filters
7	Rating plate
8	Control panel
9	Detergent and rinse-aid dispenser
10	Cutlery basket
11	Salt dispenser
12	Upper basket track latch
13	Mini Active Drying Unit: This system enhances the drying performance of your dishes.



LOAD DISHES INTO DISHWASHER

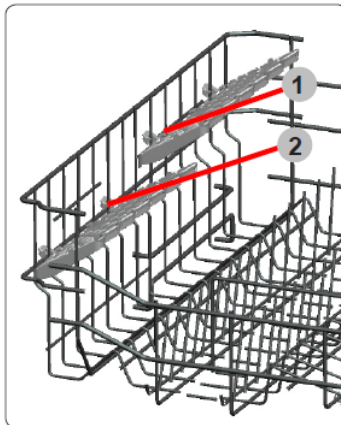
Upper basket

The upper basket is designed for washing delicate dishes such as glasses, cups, plates, etc. Dishes that are placed in the upper basket should be less soiled than dishes in the lower basket. You can place long forks, knives and spoons horizontally on shelves so as not to obstruct the spray arms.



Fold the mugs and cups shelves

Fold the shelves to increase the capacity of the upper basket. You can place the glasses and mugs on the shelves. Raise the cup shelf to make more space in the basket for taller items. You can then lean the taller glasses against the shelf. It can also be removed if it is not needed.

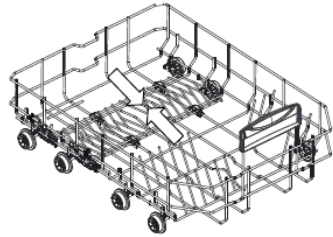


Fold the dishwasher basket spikes

The spikes of the lower basket are used for holding plates and a platter. They can be lowered to make more room for large items.



Raise upwards



Fold backwards

Tips for using the dishwasher basket:

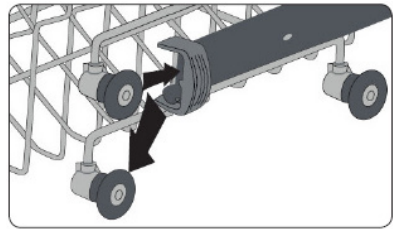
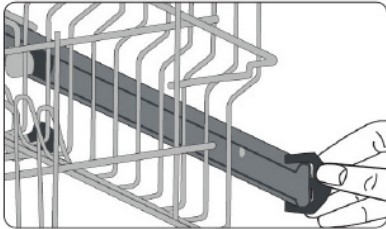
Adjust the upper basket

Type 1:

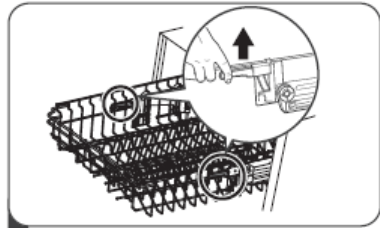
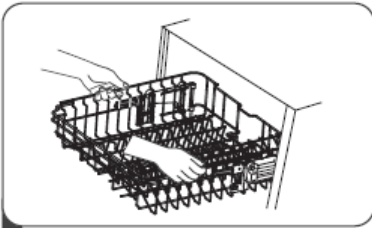
The height of the upper basket can be easily adjusted to accommodate tall pots and pans in the upper or lower basket.

To adjust the height of the upper basket:

1. Extend the upper basket.
2. Remove the upper basket.
3. Mount the basket on the upper or lower rollers.
4. Insert the upper basket



Type 2:



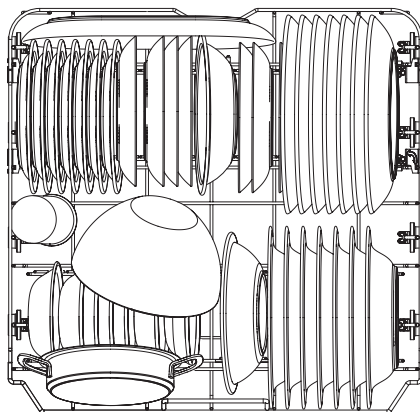
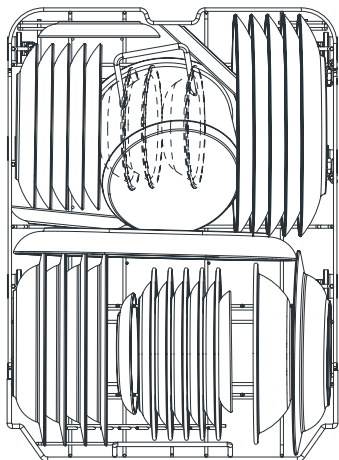
1. To raise the basket to the upper position, raise it until it is at the same height on both sides. Make sure it is securely attached to the rails.
2. To lower the basket, push down and release the handles.

Lower basket

Put plates, bowls, pots, etc. in the lower basket. Make sure that dishes in the lower basket do not block the spray arm and it can rotate freely.

Place large pans and heavily soiled items such as pots, pans, lids, dishes, etc. in the lower basket. Place dishes upside down, so that water does not collect inside.

Place the dishes in such a way that they do not block the spray arm.



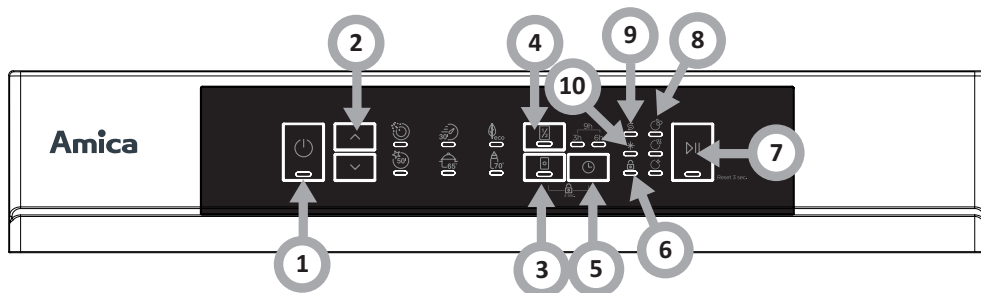
Water Hardness Table

The dishwasher is equipped with a water softener which reduces the hardness in the mains water supply. To find out the hardness level of your tap water, contact your water company or use the test strip (if available).

1. Turn on the machine by pressing the On/Off button.
 2. Press the Up button for at least 5 seconds immediately after the machine is turned on.
 3. Release the Up button when all leds blinks twice. The last setting level is displayed.
 4. Press Up or Down button to increase or decrease the hardness level.
 5. Turn off the machine to save the setting.
- The factory setting is "4".

Level	Brightener Dose	Indicator
1	Rinse-aid not dispensed	Wash LED is on.
2	1 dose is dispensed	Dry LED is on.
3	2 doses are dispensed	End LED is on.
4	3 doses are dispensed	Wash and Dry LEDs are on.
5	4 doses are dispensed	Wash and End LEDs are on.

CONTROL PANEL



Device operation (button)	
1. On/Off	Press the button to turn the dishwasher on / off.
2. Select program	<p>Prewash Suitable to rinse dishes that you plan to wash later.</p> <p>Rapid 30' A shorter wash for lightly soiled loads that do not need drying.</p> <p>ECO This is the standard program suitable for normally soiled loads, such as pots, plates, glasses and lightly soiled pans.</p> <p>Super 50' For normally soiled loads that need quick wash.</p> <p>Intensive 65° C Heavily soiled items include pots and pans. With dried on food.</p> <p>Hygienic 70° C With the Hygiene option selected, the water temperature is increased to 70° C for high temperature sanitization.</p>
3. 3 in 1	The function can be selected when using 3 in 1 dishwasher tablets. The function indicator light will remain on until the function is deactivated.
4. Half-Load	When you have about or less than 6 place setting dishware to wash, you can choose this function to save energy and water.
5. Delay	Press this button to set the delayed hours for washing. You can delay the start of washing up to 3/6/9 hours. One press on this button delays the start of washing by three hour.
6. Child lock	This option allows you to lock the buttons on the control panel - except the Power button - so children cannot accidentally start the dishwasher by pressing the buttons on the panel. To lock or unlock the buttons on the control panel, press and hold the Delay button 3 and 5 for 3 seconds simultaneously. When pressing this button, corresponding indicator will be lit.
7. Start/ Pause	When you press the Start/Pause key, the programme you have selected with the programme selection button will start operating and the washing light will be on.
8. Screen	To show the selected program temperature, reminding time and delay time, error codes etc.

9. Salt	If the indicator is lit, it means the dishwasher is low on dishwasher salt and needs to be refilled.
10. Rinse aid	If the indicator is lit, it means the dishwasher is low on dishwasher rinse aid and requires a refill.

AUTOMATIC FAULT WARNINGS AND WHAT TO DO

TROUBLE CODE				POSSIBLE FAULT	WHAT TO DO
Start / Pause	Wash	Dry	End		
		☀		*Water inlet system failure	Make sure the water inlet tap is open and water is flowing.
☀					Separate the inlet hose from the tap and clean the filter of the hose.
					Contact for service if the error continues.
☀				Pressure system failure	Contact for service.
			☀	Continuous water input	Close the tap and contact for service.
☀			☀	Inability to discharge water	Water discharge hose and filters may be clogged.
					Cancel the programme.
					If the error continues, contact for service.
					Contact for service.
☀	☀			Faulty heater and heater sensor	Contact for service.
	☀		☀	Overflow	Unplug the machine and close the tap.
					Contact for service.
☀	☀	☀	☀	Faulty electronic card	Contact for service.
☀		☀		Overheating	Contact for service.
	☀	☀		Unsuccessful heating	Contact for service.
☀	☀	☀		High voltage	Contact for service.
	☀	☀	☀	Low voltage	Contact for service.

The installation and repairing procedures should always be carried out by the Authorised Service Agent in order to avoid possible risks. The manufacturer shall not be held liable for damages that may arise from procedures carried out by unauthorised persons. Repairs may be carried out by technicians only. If a component has to be replaced, ensure that only original spare parts are used.

Improper repairs or use of non-original spare parts may cause considerable damage and put the user at considerable risk.

Contact information for your customer service can be found on the back of this document.

Function-relevant genuine spare parts according to the corresponding Ecodesign order can be obtained from Customer Service for a period of at least 10 years from the date on which your appliance was placed on the market within the European Economic Area.

*Note: The led showing water inlet system failure varies depending on the model.

CLEANING AND MAINTENANCE

Cleaning

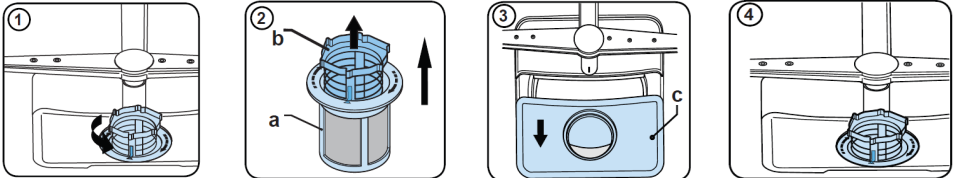
Cleaning your dishwasher is important to maintain the machine's service life. Make sure that the water softening setting (if available) is done correctly and correct amount of detergent is used to prevent limescale accumulation. Refill the salt compartment when the salt sensor light comes on.

Oil and limescale may build up in your Dishwasher over time. If this occurs:

- Fill the detergent compartment but do not load any dishes. Select a programme which runs at high temperature and run the Dishwasher empty. If this does not clean your Dishwasher sufficiently, use a cleaning agent designed for use with dishwashers.
- To extend the life of your dishwasher, clean the appliance regularly on each month
- Wipe the door seals regularly with a damp cloth to remove any accumulated residue or foreign objects.

Cleaning Filters

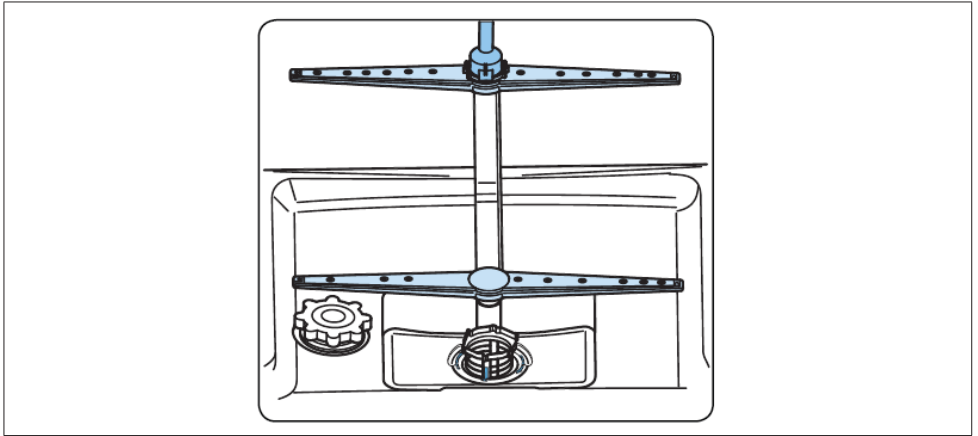
Clean the filters and spray arms at least once a week. If any food waste remains or foreign objects on the coarse and thoroughly with water. a) Micro filter, b) Coarse filter, c) Metal filter



1. To remove and clean the filter combination, turn it counter clockwise and remove it by lifting it upwards
 2. Pull the coarse filter out of the micro filter
 3. Then pull and remove the metal filter
 4. Rinse the filter with lots of water until it is free of residue. Reassemble the filters. Replace the filter insert, and rotate it clockwise
- Never use your dishwasher without a filter.
 - Incorrect fitting of the filter will reduce the washing effectiveness.
 - Clean filters are necessary for proper running of the machine.

Spray arms

Make sure that the spray holes are not clogged and that no food waste or foreign object is stuck to the spray arms. If there is any clogging, remove the spray arms and clean them under water. To remove the upper spray arm undo the nut holding it in position by turning it clockwise and pulling it downwards. Make sure that the nut is properly tightened when refitting the upper spray arm.



Drain pump

Large food residues or foreign objects which were not captured by the filters may block the waste water pump. The rinsing water will then be above the filter.

Warning Risk of cuts!

When cleaning the waste water pump, ensure that you do not injure yourself on pieces of broken glass or pointed implements.

In this case:

1. First always disconnect the appliance from the power supply.
2. Take out baskets.
3. Remove the filters.
4. Scoop out water, use a sponge if required.
5. Check the area and remove any foreign objects.
6. Install filters.
7. Re-insert baskets.

Szanowny Kliencie

Od dziś codzienne obowiązki staną się prostsze niż kiedykolwiek. Urządzenie **Amica** to połączenie wyjątkowej łatwości obsługi i doskonałej efektywności. Po przeczytaniu instrukcji, obsługa nie będzie problemem.

Sprzęt, który opuścił fabrykę był dokładnie sprawdzony przed zapakowaniem pod względem bezpieczeństwa i funkcjonalności na stanowiskach kontrolnych.

Prosimy Państwa o uważną lekturę instrukcji obsługi przed uruchomieniem urządzenia. Przestrzeganie zawartych w niej wskazówek uchroni Państwa przed niewłaściwym użytkowaniem. Instrukcję należy zachować i przechowywać tak, aby mieć ją zawsze pod ręką.

Należy dokładnie przestrzegać instrukcji obsługi w celu uniknięcia nieszczęśliwych wypadków.

Z poważaniem

Amica

WSKAZÓWKI DOTYCZĄCE BEZPIECZEŃSTWA UŻYTKOWANIA

Przed instalacją

- Sprawdź urządzenie pod kątem uszkodzeń transportowych. Nigdy nie instaluj ani nie używaj uszkodzonego urządzenia. W razie wątpliwości skontaktuj się ze sprzedawcą.
- Przed podłączeniem wtyczki zmywarki do naczyń do gniazda zasilania i rozpoczęciem eksploatacji należy koniecznie uważnie przeczytać całą instrukcję obsługi i instalacji. Zawarte w niej wskazówki pomogą uniknąć ryzyka obrażeń ciała i uszkodzenia urządzenia. Dokumentację zmywarki należy przechować w bezpiecznym miejscu w celu poprawnego użytkowania i ewentualnych konsultacji.
- Niniejsza instrukcja obsługi została przygotowana dla różnych urządzeń i pewne opisane w niej funkcje mogą nie dotyczyć posiadanego przez Państwa urządzenia.

Przed pierwszym użyciem

- Patrz Uwagi dotyczące instalacji (poniżej).
- Zleć instalację systemu uziemienia wykwalifikowanemu elektrykowi.
- Producent nie odpowiada za jakiegokolwiek szkody powstałe w wyniku użytkowania nieuziemionego urządzenia.
- Przed uruchomieniem urządzenia sprawdź, czy dane podane na tabliczce znamionowej są zgodne z danymi lokalnej sieci zasilającej.
- Na czas instalacji odłącz zmywarkę do naczyń od zasilania.
- Zawsze używaj oryginalnej wtyczki dostarczonej z urządzeniem.
- Nie podłączaj urządzenia do sieci zasilającej za pomocą przedłużacza. Przedłużacze nie zapewniają dostatecznego bezpieczeństwa (np. mogą się przegrzewać).
- Po zainstalowaniu urządzenia, wtyczka powinna być łatwo dostępna.

Bezpieczeństwo dzieci

- Niniejszy sprzęt może być użytkowany przez dzieci w wieku co najmniej 8 lat i przez osoby o obniżonych możliwościach fizycznych, umysłowych i osoby o braku doświadczenia i znajomości sprzętu, jeżeli zapewniony zostanie nadzór lub instruktaż odnośnie do użytkowania sprzętu w bezpieczny sposób, tak aby związane z tym zagrożenia były zrozumiałe. Dzieci nie powinny bawić się sprzętem. Dzieci bez nadzoru nie powinny wykonywać czyszczenia i konserwacji sprzętu.
- Dzieci poniżej 3 roku życia powinny trzymać się z daleka, chyba że są pod stałą opieką.
- Nie pozwalaj dzieciom bawić się tym urządzeniem,
- Detergenty do zmywarek do naczyń mogą mieć działanie żrące dla oczu, ust i gardła. Przeczytaj uwagi dotyczące bezpieczeństwa, umieszczone przez producentów detergentów.
- Nigdy nie zostawiaj dzieci bez nadzoru, kiedy urządzenie jest otwarte. Mogą w nim być pozostałości detergentów.
- Woda w zmywarce nie nadaje się do picia. Niebezpieczeństwo obrażeń ze strony środków żrących.
- Podczas otwierania drzwi w trakcie trwania programu należy zachować ostrożność ze względu na wysoką temperaturę wody.
- Zawsze umieszczaj długie i ostre/spiczaste przedmioty (np. widelce, noże) w koszyku na sztućce, skierowane czubkiem w dół lub płasko na górnym koszu, aby uniknąć ewentualnych obrażeń.

Codzienna obsługa

- Używaj urządzenie tylko w gospodarstwie domowym do następującej czynności: zmywanie naczyń.
- Nie stosuj rozpuszczalników chemicznych w urządzeniu; istnieje zagrożenie wybuchem.
- Nie siadaj ani nie stawaj na otwartych drzwiach, ani nie kładź na nich żadnych przedmiotów. Urządzenie może się przewrócić.
- Nie otwieraj drzwi, kiedy urządzenie pracuje. Możesz wypuścić gorącą wodę lub parę.
- Nie zostawiaj otwartych drzwi, ponieważ mogą stwarzać zagrożenie.

- Zmywanie zastawy stołowej w zmywarce do naczyń dla gospodarstw domowych zwykle zużywa mniej energii i wody w fazie użytkowania niż zmywanie ręczne.

W razie problemów

- Zlecaj naprawy i modyfikacje urządzenia tylko wykwalifikowanym pracownikom serwisu.
- W razie problemów lub napraw, odłącz urządzenie od sieci zasilającej:
- Odłącz urządzenie, wyciągając wtyczkę,
- Wyłącz bezpiecznik.
- Nie ciągnij za kabel, tylko za wtyczkę. Zamknij dopływ wody.

Zalecenia

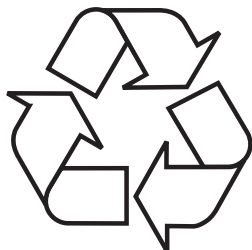
- Załadowanie zmywarki do naczyń dla gospodarstw domowych do wskazanej przez producenta pojemności przyczyni się do oszczędności energii i wody.
- Dla oszczędności energii i wody przed włożeniem naczyń do zmywarki spłukać pozostałości potraw. Uruchamiać zmywarkę w pełni załadowaną.
- Nie wkładać do urządzenia naczyń z resztkami żywności.
- Z programu mycia wstępnego korzystać tylko w razie potrzeby.
- Miski, szklanki i kubki wkładać do urządzenia spodem do góry.
- Nie wkładać do urządzenia naczyń nie przeznaczonych do mycia w zmywarce oraz nie przepelniać zmywarki.
- Nie jest zalecane ręczne płukanie wstępne zastawy stołowej, gdyż prowadzi to do wzrostu zużycia wody oraz energii.

Naczynia nienadające się do mycia w zmywarce

- Popielniczki, resztki świec, pasty do czyszczenia, farby, substancje chemiczne, stopy żelaza;
- Widelce, łyżki i noże z trzonkiem drewnianym, z rogu, kości słoniowej lub masy perłowej; elementy klejone, przedmioty zanieczyszczone środkiem ściernym, kwasem lub zasadą.
- Plastikowe naczynia nie odporne na działanie wysokiej temperatury, pojemniki miedziane lub z cyny;
- Przedmioty aluminiowe i srebrne (mogą ulegać przebarwieniu, zmatowieniu).

- Niektóre delikatne rodzaje szkła, porcelana z ozdobnymi nadrukami, ponieważ blakną nawet po pierwszym myciu; niektóre naczynia kryształowe, ponieważ z czasem tracą przejrzystość, klejone sztuczne nieodporne na działanie wysokiej temperatury, kieliszki z kryształu ołowiowego, deski do krojenia, przedmioty wykonane z włókna syntetycznego;
- Przedmioty nasiąkliwe jak gąbki lub ścierki kuchenne nie nadają się do mycia w zmywarce.
- W przyszłości, przed zakupem zwracać uwagę czy naczynia są odpowiednie do mycia w zmywarce.
- Minimalny okres, w którym dostępne są części zamienne niezbędne do naprawy urządzenia wynosi 7 lub 10 lat w zależności od rodzaju i przeznaczenia części zamiennych i jest zgodny z Rozporządzeniem Komisji (UE) 2019/2022.
- Wykaz części zamiennych i procedura ich zamawiania są dostępne na stronach internetowych producenta, importera lub upoważnionego przedstawiciela.
- Więcej informacji o produkcie znajduje się w unijnej Bazie Danych Produktów EPREL na stronie <https://eprel.ec.europa.eu>. Informacje można uzyskać skanując kod QR z etykiety energetycznej lub wpisując model wyrobu z etykiety energetycznej w wyszukiwarce EPREL <https://eprel.ec.europa.eu/>

ROZPAKOWANIE



Urządzenie na czas transportu zostało zabezpieczone przed uszkodzeniem. Po rozpakowaniu urządzenia prosimy Państwa o usunięcie elementów opakowania w sposób niezagrażający środowisku.

Wszystkie materiały zastosowane do opakowania są nieszkodliwe dla środowiska naturalnego, w 100% nadają się do odzysku i oznakowano je odpowiednim symbolem.

Uwaga! Materiały opakowaniowe (woreczki polietylenowe, kawałki styropianu itp.) należy w trakcie rozpakowywania trzymać z dala od dzieci.

USUWANIE ZUŻYTYCH URZĄDZEŃ



To urządzenie jest oznaczone zgodnie z Dyrektywą Europejską 2012/19/UE oraz polską Ustawą o zużytych sprzęcie elektrycznym i elektronicznym symbolem przekreślonego kontenera na odpady. Takie oznakowanie informuje, że sprzęt ten, po okresie jego użytkowania, nie może być umieszczany łącznie z innymi odpadami pochodzącymi z gospodarstwa domowego.

Użytkownik jest zobowiązany do oddania go prowadzącym zbieranie zużytego sprzętu elektrycznego i elektronicznego. Prowadzący zbieranie, w tym lokalne punkty zbiórki, sklepy oraz gminne jednostki, tworzą odpowiedni system umożliwiający oddanie tego sprzętu.

Właściwe postępowanie ze zużytym sprzętem elektrycznym i elektronicznym przyczynia się do uniknięcia szkodliwych dla zdrowia ludzi i środowiska naturalnego konsekwencji, wynikających z obecności składników niebezpiecznych oraz niewłaściwego składowania i przetwarzania takiego sprzętu.

INSTALACJA URZĄDZENIA

Ustawienie urządzenia

- Przy wyborze miejsca instalacji brać pod uwagę miejsce, gdzie można łatwo włożyć i wyjąć naczynia ze zmywarki.
- Nie umieszczać urządzenia w pomieszczeniu, gdzie temperatura może spaść poniżej 0°C.
- Przed zainstalowaniem rozpakować urządzenie postępując zgodnie z ostrzeżeniami umieszczonymi na opakowaniu.
- Podczas przenoszenia nie chwycić urządzenia za drzwi lub panel sterujący.
- Ze wszystkich stron pozostawić pewien luz, aby mieć wygodny dostęp do zmywarki podczas sprzątania.
- Upewnić się, że podczas ustawiania zmywarki waży zasilania w wodę i waży odpływowy nie zostaną scisnięte. Należy upewnić się również, że urządzenie nie stoi na kablu zasilającym.
- Poziom wyregulować za pomocą regulowanych nóżek zmywarki. Prawidłowe ustawienie zmywarki gwarantuje bezproblemowe otwieranie i zamykanie jej drzwi.
- Jeśli drzwi zmywarki nie zamykają się poprawnie, sprawdzić czy urządzenie stoi stabilnie na podłodze; jeśli nie, wyregulować za pomocą regulowanych nóżek.

Przyłącze wody

Upewnić się, że wewnętrzna instalacja hydrauliczna jest odpowiednia dla instalacji zmywarki. Ponadto zaleca się zamontowanie filtra na wejściu przyłącza wody do mieszkania lub domu, aby uniknąć uszkodzenia urządzenia na skutek zanieczyszczeń (piasek, glina, rdza itp.) sporadycznie nanoszonych przez wodę z sieci lub wewnętrznej instalacji; zapobiega to również żółknięciu i powstawaniu osadów po myciu.

Wąż zasilania wodą



Nie stosować węża zasilania wodą od starej zmywarki. Wykorzystać nowy wąż zasilania wodą dostarczony wraz z urządzeniem. Przed dokonaniem podłączenia przepłukać go wewnątrz wodą. Podłączyć wąż zasilania wodą bezpośrednio do zaworu doprowadzającego wodę. Ciśnienie wody w instalacji powinno wynosić co najmniej 0,03 MPa, a maksymalnie 1 MPa. Jeżeli ciśnienie wody przekracza 1 MPa, należy przed zmywarką zainstalować zawór redukujący ciśnienie.

Po wykonaniu podłączenia, zawór otworzyć całkowicie i sprawdzić szczelność.

Ze względów bezpieczeństwa należy zawsze zakręcać kurek dopływu wody po każdym myciu.

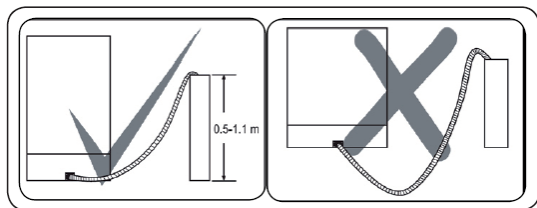


UWAGA: W niektórych modelach zmywarek stosowane jest doprowadzenie wody poprzez wąż Aquastop. W przypadku zastosowania Aquastop występuje niebezpieczne napięcie. Nie przecinać doprowadzenia wody Aquastop. Nie dopuszczать do jego zawinięcia lub skrucenia.

Uwaga! Ze względów bezpieczeństwa zakręcaj kurek z wodą po każdym zmywaniu.

Wąż odpływowy

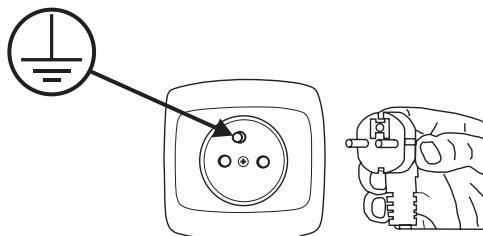
Wąż odprowadzający wodę można podłączyć bezpośrednio do odpływu wody lub do krocця wylotowego zlewozmywaka. Wodę można odprowadzić również bezpośrednio do zlewozmywaka stosując specjalny uchwyt (jeżeli jest dostępny), zahaczając wygiętą rurę na jego krawędzi. Podłączenie powinno być na wysokości co najmniej 50 cm i maksymalnie 110 cm mierząc od płaszczyzny podłogi.



Jeśli zastosowany wąż odpływowy jest dłuższy niż 4 m, naczynia mogą pozostać brudne. Producent nie ponosi odpowiedzialności za taką sytuację.

Przylącze elektryczne

Wtyczkę z uziemieniem należy podłączyć do uziemionego gniazda sieci elektrycznej o odpowiednim napięciu. Jeśli nie ma instalacji uziemiającej, zlecić jej wykonanie wykwalifikowanemu elektrykowi. W przypadku uruchomienia urządzenia bez uziemienia, producent nie ponosi odpowiedzialności za powstałe szkody.



- Wewnętrzna instalacja musi posiadać bezpiecznik 10-16 A.
- Urządzenie należy zasilać z sieci elektrycznej o napięciu przemianym 220-240V/50Hz.
- Zawsze używać wtyczki z obudową, dostarczonej z urządzeniem. Uruchamianie urządzenia przy niskim napięciu spowoduje pogorszenie jakości mycia i może doprowadzić do uszkodzenia urządzenia.
- Wymiany przewodu zasilającego może dokonywać wyłącznie autoryzowany serwis lub elektryk. Nieprzestrzeganie tych zasad może doprowadzić do wypadku.
- Ze względów bezpieczeństwa należy zawsze wyjmować wtyczkę z gniazdka po zakończeniu mycia.
- Aby nie spowodować porażenia prądem, nie należy wyjmować wtyczki z gniazdka mokrymi rękoma.
- Odłączając urządzenie od źródła zasilania, zawsze ciągnąć za wtyczkę. Nigdy nie należy ciągnąć za przewód.

Montaż urządzenia pod blatem kuchennym

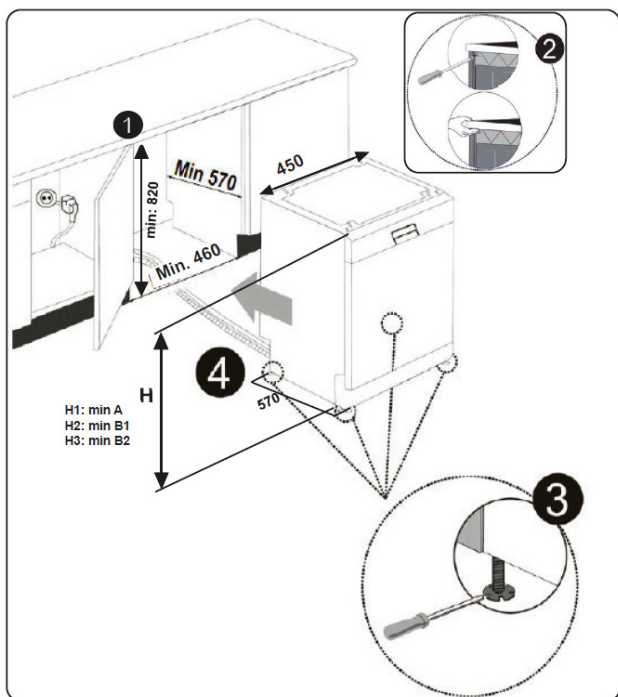
Jeśli chcesz zamontować urządzenie pod blatem kuchennym, należy zapewnić odpowiednią ilość miejsca oraz prawidłową instalację elektryczną i wodno-kanalizacyjną (1). Jeśli przestrzeń pod blatem kuchennym jest odpowiednia do instalacji urządzenia, należy zdemontować blat, jak pokazano na poniższych rysunkach (2).

OSTRZEŻENIE: Blat kuchenny, pod którym zostanie zainstalowane urządzenie, powinien być stabilny, aby zapobiec brakowi równowagi.

Aby zamontować zmywarkę pod blatem kuchennym, należy zdemontować panel górny urządzenia.

Aby zdemontować panel górny, należy odkręcić śruby mocujące znajdujące się z tyłu urządzenia. Następnie odepchnij panel do tyłu o ok. 1 cm i unies go. Wyreguluj nóżki urządzenia, korygując pochylenie podłogi (3). Zamontuj urządzenie, ostrożnie wsuwając je pod blat kuchenny, aby nie zgnieść ani nie zagiąć węży (4).

OSTRZEŻENIE: Po zdemontowaniu panelu górnego zmywarkę należy ustawić w miejscu o wymiarach podanych na poniższym rysunku.



	A	B	
	Wszystkie urządzenia	B ₁	B ₂
Wysokość urządzenia (±2 mm)	820 mm	825 mm	835 mm

PRZYGOTOWANIE URZĄDZENIA DO PRACY

Przed pierwszym użyciem zmywarki

- Przed uruchomieniem urządzenia sprawdź, czy dane podane na tabliczce znamionowej są zgodne z danymi lokalnej sieci zasilającej.
- Usunąć wszystkie materiały opakowaniowe z wnętrza urządzenia.
- Przygotować środek do zmiękczenia wody.
- Przed pierwszym użyciem zmywarki należy napełnić pojemnik 1 kg soli (przeznaczonej dla zmywarek) do dozownika soli i dolać wody.
- Nalać do dozownika środka nabłyszczającego.

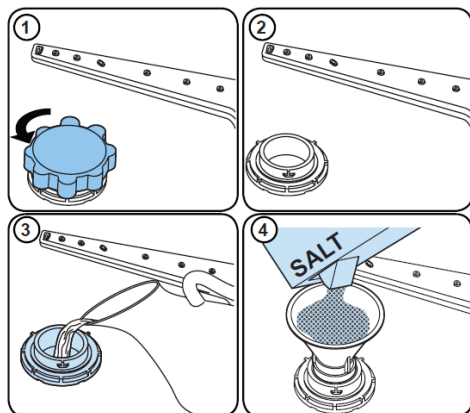
Znaczenie odwapniania wody

Dla dobrej pracy zmywarka potrzebuje miękkiej wody (z niską zawartością wapnia). W przeciwnym razie na naczyniach i wewnątrz urządzenia pozostają białe pozostałości kamienia. Ma to negatywny wpływ na jakość mycia, suszenia i nabłyszczania. Kiedy woda przepływa przez układ zmiękczenia, jony odpowiedzialne za twardość wody są usuwane, a woda jest odpowiednio miękka, aby uzyskać najlepsze wyniki mycia. W zależności od stopnia twardości wody zasilającej, jony odpowiedzialne za twardość wody gromadzą się szybko wewnątrz układu zmiękczenia. Dlatego układ zmiękczenia musi być odświeżany, aby działał z taką samą wydajnością także podczas kolejnego mycia. W tym celu stosuje się sól do zmywarki.

Napełnianie solą

Stosować wyłącznie sól zmięczającą przeznaczoną do zmywarek. Należy stosować wyłącznie sól przeznaczoną do zmywarek. Inne rodzaje soli, a w szczególności sól kuchenna, mogą uszkodzić instalację zmiękczenia wody w zmywarce. Napełniać solą tuż przed rozpoczęciem jednego z pełnych programów zmywania. Dzięki temu zapobiegnie się rozsypaniu soli lub rozlaniu słonej wody na dnie urządzenia, co mogłoby sprzyjać powstawaniu korozji. W przypadku uszkodzeń spowodowanych użyciem niewłaściwej soli producent nie udziela gwarancji, ani nie odpowiada za powstałe szkody.

Napełniać solą przed uruchomieniem programu mycia. Zapobiegnie to pozostawianiu rozsypanych ziaren soli lub słonej wody na dnie urządzenia, które mogą powodować korozję.














1. Wyjąć dolny kosz z urządzenia i odkręcić pokrywę zbiornika na sól obracając ją w lewo (1) (2).
2. Umieścić koniec lejka (w zestawie) w otworze i nasypać około 1 kg soli (4).
3. Napełnić zbiornik na sól do pełna wodą (3). Jest rzeczą normalną, że ze zbiornika na sól wylewa się niewielka ilość wody.
4. Po napełnieniu zbiornika zakręcić pokrywę.
5. Po napełnieniu dozownika solą wskaźnik soli gaśnie.
6. Zaraz po napełnieniu zbiornika solą uruchomić program mycia (zalecamy uruchomić program krótki). W przeciwnym wypadku słona woda może uszkodzić filtry, pompę lub inne ważne części urządzenia. Nie jest to objęte gwarancją.

UWAGA:

- Zbiornik na sól należy napełnić, gdy zapali się wskaźnik soli (☞) na panelu sterowania. W zależności od tempa rozpuszczania się soli, wskaźnik soli może nadal świecić się nawet po napełnieniu dozownika.
- Jeśli na panelu sterowania nie ma wskaźnika (w niektórych modelach), można oszacować kiedy należy uzupełnić dozownik na podstawie ilości wykonanych cykli mycia.
- W przypadku rozsypania się soli, uruchomić program namaczania lub program krótki.
- Stożować wyłącznie sól przeznaczoną do zmywarek do naczyń!

Pasek testowy

Skuteczność mycia w zmywarce zależy od twardości wody z sieci. Dlatego urządzenie jest wyposażone w układ, który zmniejsza twardość wody zasilającej. Skuteczność zmywania wzrośnie po prawidłowym ustawieniu układu. Aby sprawdzić poziom twardości wody w okolicy należy skontaktować się z miejskimi wodociągami lub ustalić poziom twardości wody za pomocą paska testowego (jeśli jest dostępny).

	Run water through the tap (1min.)	Keep the strip in the water (1sec)	Shake the strip.	Wait (1min.)	Set the hardness level of your machine.
					1  2  3  4  5  6 

Detergenty wieloskładnikowe (np.: "2w1", "3w1" itp.)

Występują 3 rodzaje detergentów:

1. Fosforanowe i zawierające chlor,
2. Fosforanowe, nie zawierające chloru,
3. Nie zawierające fosforanu ani chloru.

Najnowsze tabletki są zwykle bezfosforanowe. Ponieważ fosforany mają właściwości zmiękczające wodę, zalecamy dodanie soli do pojemnika, nawet jeśli twardość wody wynosi zaledwie 6°dH. W miejscach o twardej wodzie, jeśli stosowany jest detergent bezfosforanowy, na naczyńiach i szklankach mogą być widoczne białe ślady.

Można temu zapobiec, zwiększając ilość detergentu. Detergenty bezchlorowe mają słabsze działanie wybielające. Kolorowe plamy mogą nie być dokładnie usuwane. Należy wybrać program o wyższej temperaturze mycia.

Generalnie stosując detergenty wieloskładnikowe uzyskuje się odpowiednie rezultaty tylko w pewnych określonych warunkach. Takie detergenty zawierają środek nabyśzczaający i/lub sól w ustalonych ilościach. Zaleca się jednak przy stosowaniu tabletek wieloskładnikowych używania soli regeneracyjnej.

Na co należy zwracać uwagę używając tego typu produktów:

- Zawsze sprawdzać skład używanego detergentu oraz czy jest to produkt wieloskładnikowy.
- Sprawdzić czy używany detergent jest odpowiedni do stopnia twardości wody wodociągowej, do którego dostosowana jest zmywarka.
- Przestrzegać wskazówek podanych na opakowaniu produktu.
- Jeśli detergent ma postać tabletek, nigdy nie wkładać ich do wnętrza koszyka na sztućce. Zawsze umieszczać tabletki w przegrodzie na detergent w dozowniku.
- Stosowanie tych środków daje dobre wyniki tylko w przypadku niektórych rodzajów zastosowania. Stosując tego typu detergenty należy skontaktować się z ich producentem i zapytać o odpowiednie warunki zastosowania.
- Jeśli warunki stosowania takich detergentów i ustawienia zmywarki są odpowiednie, uzyskuje się oszczędności w zużyciu soli i/lub środka nabłyszczającego.
- Jeśli rezultaty mycia podczas stosowania detergentów „2 w 1” lub „3 w 1” nie są zadowalające (jeśli na naczyńach pozostają ślady kamienia i wody), należy skontaktować się z producentem detergentu. Gwarancja zmywarki nie obejmuje reklamacji na skutek stosowania detergentów wieloskładnikowych.

Zalecany sposób użycia: Aby uzyskać najlepsze rezultaty stosując wieloskładnikowe środki myjące, należy dodać sól i środek nabłyszczający do zmywarki i ustawić twardość wody i ilość środka nabłyszczającego na najniższą wartość.

Rozpuszczalność detergentu w postaci tabletek różnych producentów może być różna biorąc pod uwagę temperaturę i czas. Dlatego nie zaleca się stosowania detergentów w tabletkach w krótkich programach. W programach krótkich zaleca się stosowanie detergentów w proszku.

Zawsze przechowuj detergenty w suchym i chłodnym miejscu, poza zasięgiem dzieci. Napełniaj dozownik detergentem bezpośrednio przed włączeniem urządzenia.

Ostrzeżenie: Jeśli podczas stosowania detergentu wieloskładnikowego wystąpią niespotykane wcześniej problemy, prosimy o bezpośredni kontakt z producentem detergentu.

Zaprzestanie stosowania detergentów wieloskładnikowych:

- Napełnić dozowniki solą i środkiem nabłyszczającym.
- Ustawić twardość wody na najwyższy poziom (6) i uruchomić pustą zmywarkę.
- Dostosować twardość wody.
- Dokonać odpowiedniego ustawienia środka nabłyszczającego.

Ostrzeżenie: Stosować wyłącznie środki nabłyszczające przeznaczone do zmywarek domowych. Pozostałości środka nabłyszczającego rozlane przy przepelnieniu będą powodować tworzenie się dużej ilości piany, a tym samym będą zmniejszać jakość mycia, dlatego należy wytrzeć rozlany środek nabłyszczający ściereczką.

Tabela twardości wody

Twardość wody	Stopnie niemieckie dH	Stopnie francuskie dF	Stopnie brytyjskie dE	Wskaźnik poziomu twardości
1	0~5	0~9	0~6	Wskaźnik mycia świeci się.
2	6-11	10-20	7-14	Wskaźnik suszenia świeci się.
3	12-17	21-30	15-21	Przycisk Koniec jest aktywny.
4	18-22	31-40	22-28	Wskaźniki mycia i suszenia świecą się.

5	23-34	41-60	29-42	Wskaźniki mycia i zakończenia programu świecą się.
6	35-50	61-90	43-63	Wskaźniki suszenia i zakończenia programu świecą się.

Zmywarka jest wyposażona w zmiękczacze wody, który obniża twardość wody z sieci wodociągowej. Aby sprawdzić stopień twardości wody z sieci wodociągowej, należy skontaktować się z dostawcą wody lub użyć paska testowego (jeśli dostępny). Jeżeli twardość wody jest wyższa niż maksymalne wartości podane w powyższej tabeli lub w przypadku stosowania wody ze studni zaleca się zastosowanie filtrów i urządzeń do uzdatniania wody.

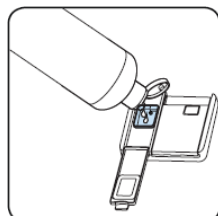
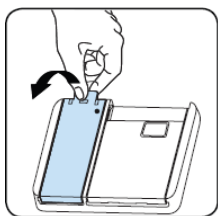
Ustawienie:

- Włącz urządzenie, naciskając przycisk ON/OFF.
 - Naciśnij i przytrzymaj przycisk GORA przez co najmniej trzy sekundy natychmiast po włączeniu urządzenia.
 - Zwolnij przycisk GORA, wszystkie wskaźniki LED zamigają równocześnie. Wyświetlony zostanie ostatni ustawiony poziom.
4. Naciśnij przycisk GORA lub DOŁ, aby zwiększyć lub zmniejszyć stopień twardości wody.
5. Wyłącz urządzenie, aby zapisać ustawienie.

Aby zmienić poziom środka nabłyszczającego, przed włączeniem zmywarki należy wykonać poniższe kroki:

1. Włącz zmywarkę naciskając przycisk ON/OFF.
2. Naciśnij i przytrzymaj przycisk GORA przez co najmniej pięć sekund natychmiast po włączeniu urządzenia.
3. Zwolnij przycisk GORA, wszystkie wskaźniki LED pulsują dwa razy. Wyświetlany jest ostatni poziom ustawien.
4. Naciśnij przycisk GORA lub DOŁ, aby zwiększyć lub zmniejszyć stopień twardości wody.
5. Wyłącz urządzenie, aby zapisać ustawienie.

Jeśli naczynia nie schną prawidłowo lub są na nich plamki, należy ustawić wyższy poziom. Jeśli na naczyniach tworzą się niebieskie plamy, należy ustawić niższy poziom.



Poziom	Dawka środka nabłyszczającego	Wskaźnik
1	Środek nabłyszczający nie jest odmierzany	Wskaźnik mycia świeci się.
2	Odmierzana jest 1 dawka	Wskaźnik suszenia świeci się.
3	Odmierzane są 2 dawki	Wskaźnik zakończenia programu świeci się.
4	Odmierzane są 3 dawki	Wskaźniki mycia i suszenia świecą się.
5	Odmierzane są 4 dawki	Wskaźniki mycia i zakończenia programu świecą się.

Standardowy załadunek i wyniki badań:

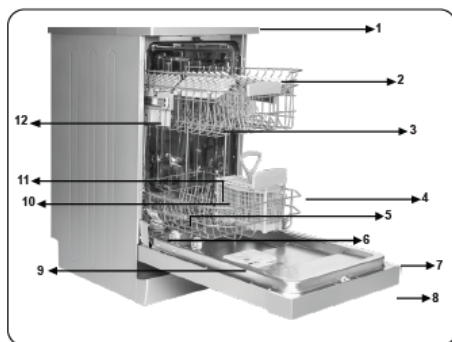
Dolny kosz



Górny kosz

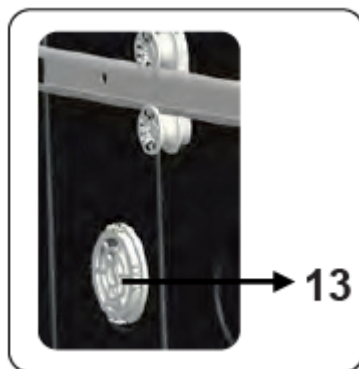


Wyposażenie



Pojemność- 10 zestawów

1	Błat kuchenny
2	Kosz górny z kratkami
3	Górne ramię natryskowe
4	Kosz dolny
5	Dolne ramię natryskowe
6	Filtry
7	Tabliczka znamionowa
8	Panel sterowania
9	Dozownik detergentu i środka nabyłyszczającego
10	Koszyk na sztućce
11	Dozownik soli
12	Zatrząsk kratki górnego kosza
13	Super suszenie: System ten zapewnia lepszą wydajność suszenia naczyń

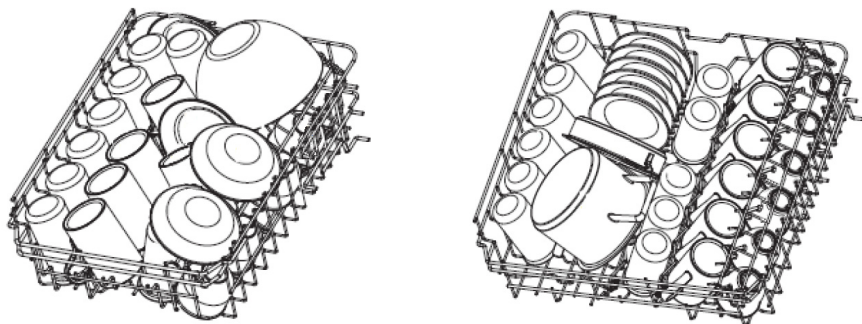


ZAŁADUNEK ZMYWARKI NACZYNIAMI

Kosz górny

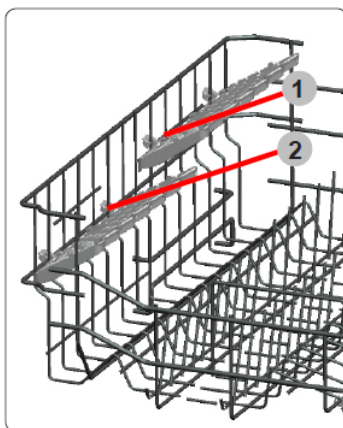
Kosz górny jest zaprojektowany do zmywania delikatnych typów naczyń takich jak szklanki, filiżanki, talerze itp. Naczynia które są umieszczane w koszu górnym powinny mieć mniejszy stopień zabrudzenia niż naczynia z kosza dolnego.

Dodatkowo na półkach można poziomo układać długie widelce, noże i łyżki, tak aby nie blokowały obrotów ramion spryskujących.



Składanie półek na kubki/filiżanki

Dzięki tym półkom można zwiększyć pojemność górnego kosza. Można ustawiać szklanki i kubki na półkach. Aby zrobić więcej miejsca w koszu na wyższe przedmioty podnieść półkę na filiżanki w górę. O półkę można wtedy oprzeć wyższe szklanki. Można ją również wyjąć jeśli nie jest potrzebna.



Składanie stojaków kosza

Kolce służą do przytrzymywania talerzy. Można je złożyć zyskując więcej miejsca na duże naczynia.



Podnieść



Opuścić

Korzystanie z kosza zmywarki

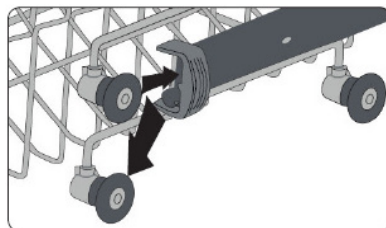
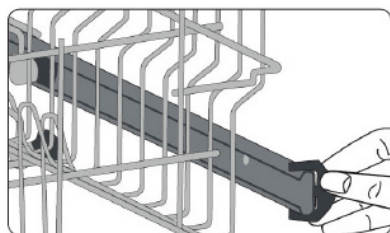
Wyreguluj górny kosz

Typ 1:

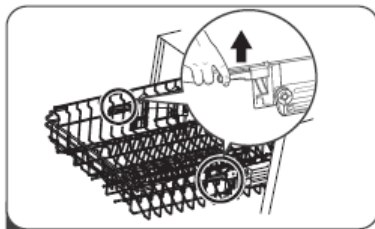
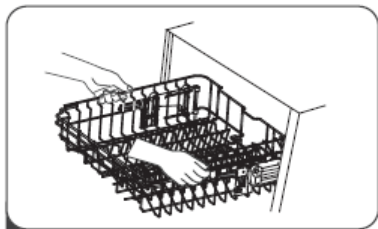
Wysokość górnego kosza można łatwo regulować, aby pomieścić wysokie garnki i patelnie w górnym lub dolnym koszu.

Aby wyregulować wysokość górnego kosza:

1. Wsuń górny kosz.
2. Wyjmij górny kosz.
3. Zamontuj kosz na górnych lub dolnych rolkach.
4. Włóż górny kosz

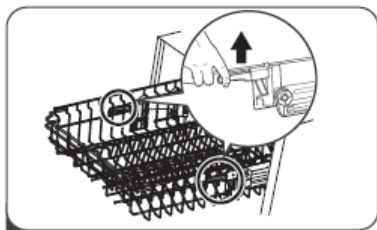
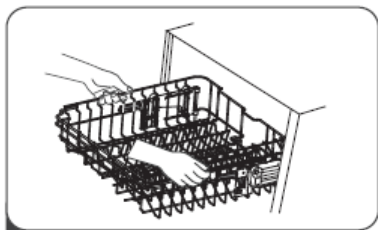


Typ 2:



1. Aby podnieść kosz do górnej pozycji, podnieś go, aż znajdzie się na tej samej wysokości po obu stronach. Upewnij się, że jest bezpiecznie przymocowany do szyn.
2. Aby obniżyć kosz, naciśnij i zwolnij uchwyt.

Rodzaj 2:

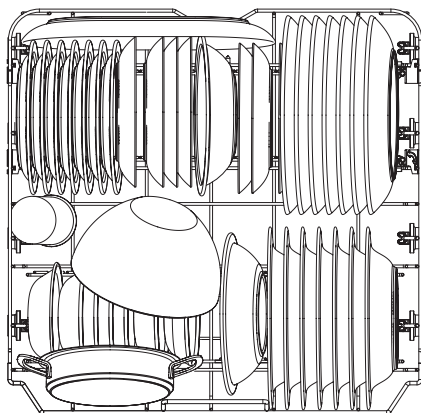
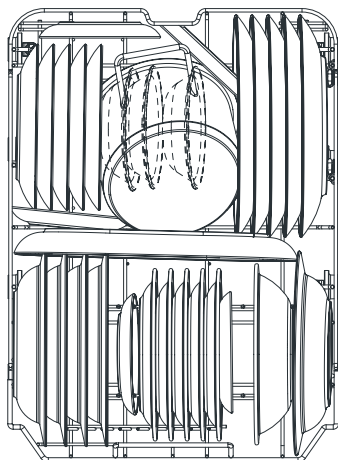


1. Aby podnieść kosz w górną pozycję, podnieść aż z obydwu stron znajdzie się na tej samej wysokości. Upewnić się, że jest dobrze zamocowany na szynach.
2. Aby opuścić kosz, popchnąć w dół za rączki i puścić.

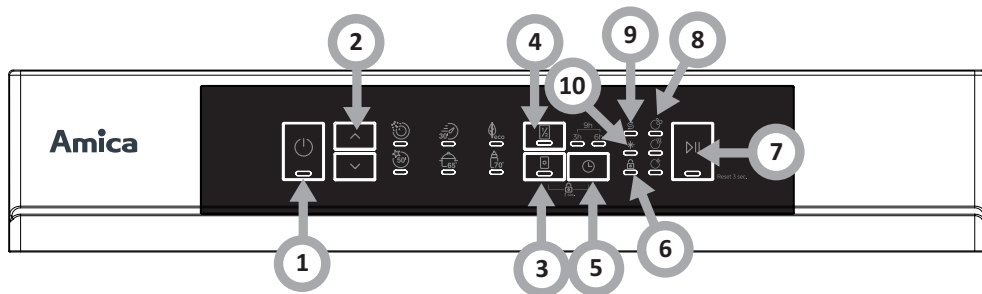
Kosz dolny

Na dolnym koszu umieszczaj talerze, miski, garnki, itp. Upewnij się, że naczynia w koszu dolnym nie blokują ramienia natryskowego i może się ono swobodnie obracać. W koszu dolnym należy umieścić duże naczynia oraz te, które są trudniejsze do zmywania, na przykład garnki, patelnie, pokrywy, półmiski itp. Naczynia należy umieszczać dnem do góry, by w naczyniu nie zbierała się woda.

Naczynia należy umieścić w taki sposób, by nie blokowały ramienia natryskowego.



WYŚWIETLACZ I PANEL



Praca urządzenia (przycisk)	
1. Zasilanie	Nacisnąć przycisk, aby włączyć/wyłączyć zmywarkę.
2. Wybór programu (przyciski góra, dół)	<p>Mycie wstępne Odpowiedni do płukania naczyń, które będą zmywane później.</p> <p>Szybki 30' Do lekko zabrudzonych naczyń i szybkiego zmywania.</p> <p>ECO Jest to standardowy program zmywania i służy do zmywania normalnie zabrudzonych naczyń o zmniejszonym zużyciu energii i wody.</p> <p>Super 50' Do normalnie zabrudzonym naczyń. Przyspiesza ich zmywanie.</p> <p>Intensywny 65° C Do mocno zabrudzonych naczyń.</p> <p>Higieniczny 70° C Do mocno zabrudzonych naczyń, wymagających higienicznego mycia.</p>
3. 3 w 1	Funkcję można wybrać w przypadku używania tabletek do zmywarki 3 w 1. Kontrolka funkcji pozostanie włączona do momentu wyłączenia funkcji.
4. Połowa załadunku	Wybierając funkcję można skrócić czas trwania programów. Funkcja oszczędzającą energię i wodę.
5. Opóźnienie startu	Przycisk ten służy do ustawienia opóźnienia startu mycia. Jedno wciśnięcie przycisku powoduje opóźnienie startu o 3/6/9 godzin.
6. Blokada uruchomienia (Childlock)	Ta opcja umożliwia zablokowanie przycisków panelu sterowania, za wyjątkiem przycisku zasilania. Dzieci nie mogą przypadkowo uruchomić zmywarki naciskając przyciski na panelu. Aby zablokować lub odblokować przyciski panelu sterowania, nacisnąć jednocześnie i przytrzymać przez 3 sekundy przycisk 3 i 5.
7. Start/Pauza	Jeśli naciśniesz przycisk startu/pauzy, uruchomi się program wybrany przy pomocy przycisku wyboru programu i zaświeci wskaźnik mycia.

8. Wyświetlacz	Wyświetla się wybrany program: Mycie, Suszenie, Koniec.
9. Sól	Jeśli wskaźnik świeci się, oznacza to, że jest niski poziom soli w dozowniku i wymagane jest uzupełnienie.
10. Środek nablyszczający	Jeśli wskaźnik świeci się, oznacza to, że jest niski poziom środka nablyszczającego w dozowniku i wymagane jest uzupełnienie.

AUTOMATYCZNE OSTRZEŻENIA O USTERKACH I SPOSÓB POSTĘPOWANIA

KOD BŁĘDU				MOŻLIWA USTERKA	SPOSÓB POSTĘPOWANIA
Start/ Pauza	Mycie	Suszenie	Koniec		
		☀		*Usterka układu dopływu wody	Upewnić się, że kurek dopływu wody jest otwarty, a woda płynie.
☀					Odłączyć wąż dopływu od kurka i wyczyścić filtr węża.
					Jeżeli błąd nie ustąpił, skontaktuj się z serwisem.
☀				Usterka układu ciśnieniowego	Skontaktuj się z serwisem.
			☀	Ciągły dopływ wody	Zakręć kurek i skontaktuj się z serwisem.
☀			☀	Brak możliwości odpływu wody	Wąż odpływu wody i filtry mogą być zatkane.
					Anuluj program.
					Jeżeli błąd nie ustąpił, skontaktuj się z serwisem.
					Skontaktuj się z serwisem.
☀	☀			Usterka grzałki i czujnika temperatury	Skontaktuj się z serwisem.
	☀		☀	Nadmierny przepływ	Odłączyć urządzenie i zamknąć kurek.
					Skontaktuj się z serwisem.
☀	☀	☀	☀	Uszkodzona karta elektroniczna	Skontaktuj się z serwisem.
☀		☀		Przegrzanie	Skontaktuj się z serwisem.
	☀	☀		Nieudane podgrzewanie	Skontaktuj się z serwisem.
☀	☀	☀		Wysokie napięcie	Skontaktuj się z serwisem.
	☀	☀	☀	Niskie napięcie	Skontaktuj się z serwisem.

Prace montażowe i naprawcze muszą być zawsze wykonywane przez autoryzowanych serwisantów, aby uniknąć ryzyka. Producent nie ponosi odpowiedzialności za szkody mogące wynikać z procedur wykonywanych przez osoby nieupoważnione. Naprawy mogą być wykonywane wyłącznie przez techników. W razie potrzeby wymiany podzespołu należy stosować wyłącznie oryginalne części zamienne.

Nieprawidłowo wykonane naprawy lub stosowanie nieoryginalnych części zamiennych może spowodować znaczne szkody, a także narazić użytkownika na duże ryzyko.

Dane kontaktowe do serwisu klienta znajdują się na końcu dokumentu.

Oryginalne części zamienne do poszczególnych funkcji zgodne z wymogami eko projektu można uzyskać w dziale serwisu klienta przez okres co najmniej 10 lat od daty wprowadzenia urządzenia na rynek Europejskiego Obszaru Gospodarczego.

* Uwaga: wygląd diody LED wskazującej awarię układu doprowadzenia wody różni się w zależności od modelu.

CZYSZCZENIE I KONSERWACJA

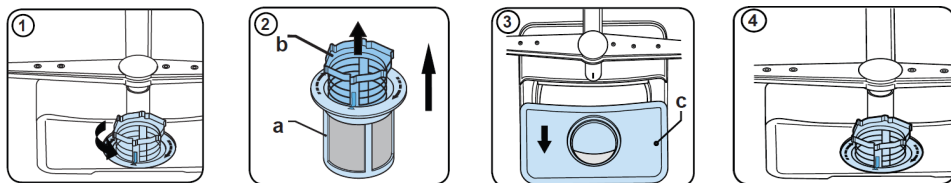
Czyszczenie

Czyszczenie zmywarki ma znaczenie dla uzyskania długiej żywotności urządzenia. Należy się upewnić, że ustawienie zmiękczenia wody (jeśli jest dostępne) określono prawidłowo, a także że stosuje się odpowiednią ilość detergentu, aby zapobiec gromadzeniu się kamienia. Po zapaleniu się czujnika poziomu soli należy napełnić zbiornik na sól. Z upływem czasu w zmywarce może gromadzić się tłuszcz i kamień. W takiej sytuacji należy:

- Napełnić komorę na detergent bez ładowania naczyń do zmywarki. Wybrać program mycia z wysoką temperaturą i uruchomić pustą zmywarkę. Jeśli po zakończeniu programu mycia zmywarka nie jest odpowiednio wyczyszczona, należy zastosować środek do czyszczenia zmywarek.
- Aby wydłużyć żywotność zmywarki, należy czyścić urządzenie regularnie raz w miesiącu.
- Regularnie przecierać uszczelki drzwi za pomocą wilgotnej ściereczki, aby usunąć wszelkie nagromadzone pozostałości lub substancje obce.

Czyszczenie filtrów

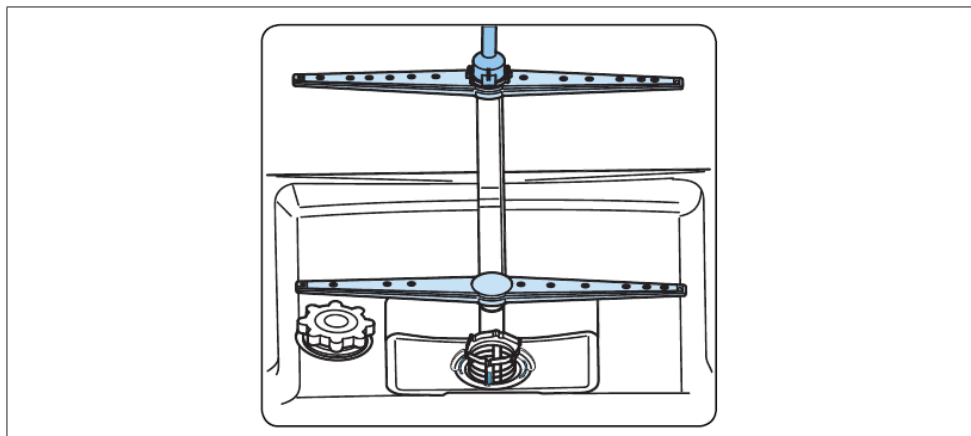
Czyścić filtry i ramiona natryskowe co najmniej raz w tygodniu. Jeśli na zgrubnym lub drobnym filtrze pozostały jakies resztki jedzenia lub substancje obce, należy je usunąć i dokładnie umyć filtry pod wodą. a) Mikro filtr, b) Filtr zgrubny, c) Filtr metalowy



1. Aby wymontować i wyczyścić zespół filtrów, należy przekręcić go w lewo i wyjąć poprzez uniesienie w górę
 2. Wyciągnąć filtr zgrubny z mikro filtra
 3. Następnie wyciągnąć i wyjąć filtr metalowy
 4. Prukać filtr dużą ilością wody do czasu usunięcia osadu. Złożyć filtry. Włożyć wkład filtra i obrócić go w prawo
- Nie używać zmywarki bez żadnego filtra.
 - Niewłaściwe założenie filtra zmniejsza skuteczność zmywania.
 - Czyste filtry są niezbędne do prawidłowego działania urządzenia.

Ramiona natryskowe

Upewnić się, że otwory w ramionach natryskowych nie są zatkane, a w ramionach nie ma żadnych resztek jedzenia ani ciał obcych. Jeśli coś się zatkało, należy wyjąć ramiona natryskowe i umyć je pod wodą. Aby wyjąć górne ramie natryskowe, należy odkręcić nakrętkę mocującą poprzez obracanie w prawo i pociągnięcie w dół. Przy zakładaniu górnego ramienia z powrotem należy się upewnić, że nakrętka jest całkowicie dokręcona.



Pompa odpływowa

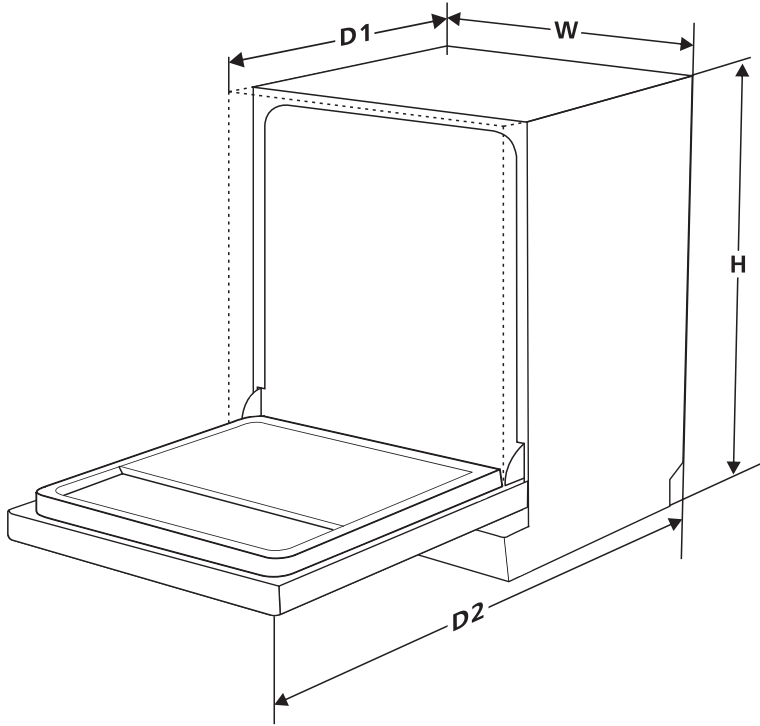
Duże resztki jedzenia lub ciała obce, które nie zostaną zatrzymane na filtrach, mogą zatkąć pompę brudnej wody. Jeśli dojdzie do takiej sytuacji, woda do płukania pozostaje na poziomie ponad filtrem.

UWAGA Zagrożenie przecięciem!

Podczas czyszczenia pompy brudnej wody należy uważać, aby nie skaleczyć się kawałkami zbitego szkła lub ostrymi sztuccami itp.

Sposób postępowania:

1. Zawsze najpierw odłączyć urządzenie od zasilania sieciowego.
2. Wyjąć kosze na naczynia.
3. Wyjąć filtry.
4. Wybrać wodę, w razie potrzeby użyć gąbki.
5. Sprawdzić opróżnione miejsce i usunąć wszelkie ciała obce.
6. Zamontować filtry.
7. Włożyć kosze.



[H]	850 mm
[W]	448 mm
[D1]	598 mm
[D2]	1160 mm

Amica S.A.
ul . Mickiewicza 52 / 64-510 Wronki
tel. 67 25 46 100 / fax 67 25 40 320
www.amica.pl

Amica International GmbH
Lüdinghauser Str. 52
D-59387 Ascheberg
Tel: 0 25 93 - 95 67-0
www.amica-group.de